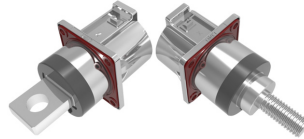




**GCMC1-200** SERIES



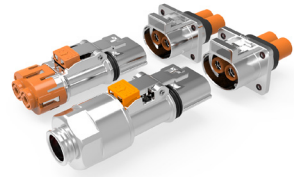
**GCMC1-300** SERIES



**GCMC1-500** SERIES



**PRC40** SERIES



**PRC60** SERIES

# **GUCHEN® GCMC & PRC Series**

## **HIGH VOLTAGE & LARGE CURRENT**

### **CONNECTOR**

# KEY FEATURES

## GCMC1 SERIES TECHNICAL DATA

Item	GCMC1-200 Series	GCMC1-300 Series	GCMC1-500 Series	PRC40 Series 3PIN	PRC40 Series 4PIN	PRC60 Series 2PIN
Temperature Range	-40C to +125C					
Protection	IP68 & IP6K9K					
Housing Body	Zinc alloy , Die-cast					
Mating Force	75N Max.					
Insulation Inserts	Thermoplastic , UL 94-V0					
Contacts	Brass alloy , Silver plated					
Seals	Rubber					
Max. Current	200A Max.	300A Max.	500A Max.	40A Max.	40A Max.	60A Max.
Terminal connecting resistance	≤0.6 mΩ					
Test Voltage	5000V DC					
Minimum Mating Cycles	No electrical or mechanical defects after more than 100 cycles of engagement and disengagement.					
Salt Spray Resistance	48hour , 96hour					
Shielded	Yes					
HVIL	Yes					
Dielectric strength	Leakage current(DC)≤1 mA ; Leakage current(AC)≤5 mA					
Vibration Resistance	No unlocking or unmating and exhibits no mechanical or physical damage after sinusoidal vibration levels of 10G's at 10 to 1000 Hz in each of the three mutually perpendicular planes. Connection resistance changes continuously greater than 7Ω's time less than 1 microsecond.					
Thermal Shock	No cracking, chipping or leaking after 20 test cycles from -40°C to +125°C.					
RoHS Compliant	Yes					



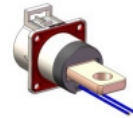
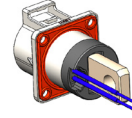
## PRODUCT APPLICATION



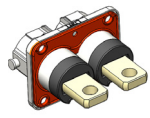
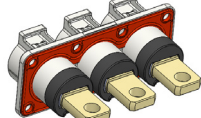
Item	GCMC1-200 Series	GCMC1-300 Series	GCMC1-500 Series	PRC40 Series 3PIN	PRC40 Series 4PIN	PRC60 Series 2PIN
AUTOMOTIVE	✓	✓	✓	✓	✓	✓
TRUCKS	✓	✓	✓	✓	✓	✓
BUS	✓	✓	✓	✓	✓	✓
AGRICULTURAL MACHINES	✓	✓	✓	✓	✓	✓
CONSTRUCTION MACHINES	✓	✓	✓	✓	✓	✓

## REFERENCE TEST STANDARDS

Item	GCMC1-200 Series	GCMC1-300 Series	GCMC1-500 Series	PRC40 Series 3PIN	PRC40 Series 4PIN	PRC60 Series 2PIN
LV215-1-2013	✓	✓	✓	✓	✓	✓
GB/T 11918.1-2014	✓	✓	✓	✓	✓	✓
QC/T 1067.1-2017	✓	✓	✓	✓	✓	✓

## RECEPTACLE

Item	180 Degree Busbar Lug	180 Degree Busbar Lug	180 Degree Busbar Lug	90 Degree Busbar Lug
Pictures				
Product Number No HVIL	GCMC1-00(*)-200-10M(&)	GCMC1-00(*)-200-10D(&)	GCMC1-00(*)-200-10H(&)	GCMC1-00(*)-200-90M(&)
TProduct Number With HVIL	GCMC1-00(*)-201-10M(&)	GCMC1-00(*)-201-10D(&)	GCMC1-00(*)-201-10H(&)	GCMC1-00(*)-201-90M(&)

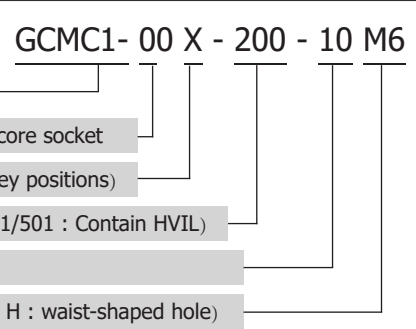

Item	Thread Pin	Tubular Lug	2 PIN Receptacle	3 PIN Receptacle
Pictures				
Product Number No HVIL	GCMC1-00(*)-200-20M(&)	GCMC1-00(*)-200-30C(&)	GCM2-20(*)-200-10M(&)	GCM3-30(*)-200-10M(&)
Product Number With HVIL	GCMC1-00(*)-201-20M(&)	N/A	GCM2-20(*)-201-10M(&)	GCM3-30(*)-201-10M(&)

**NOTES:**

(\*) Denote KEY Position: X, Y, U, V, W

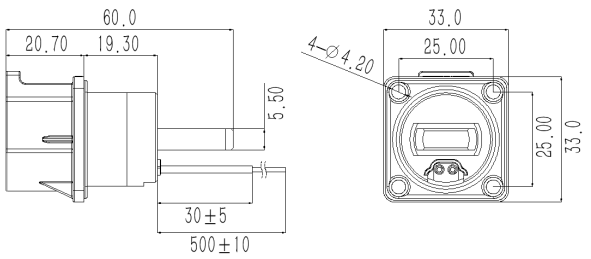
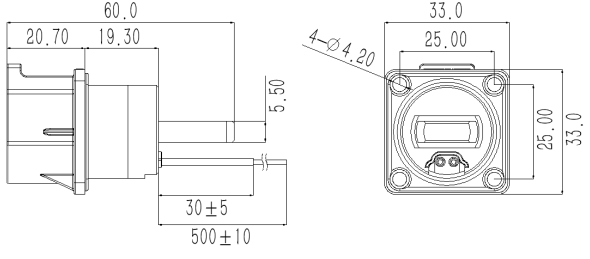
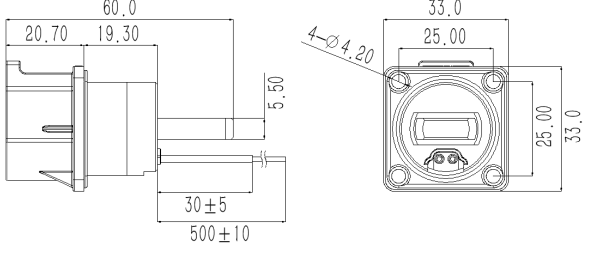
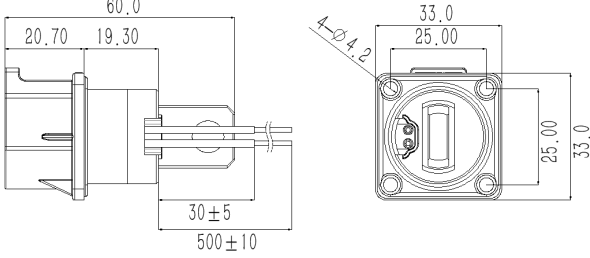
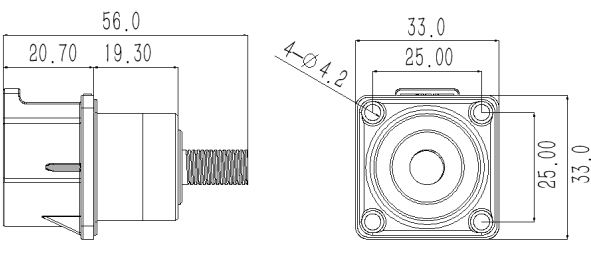
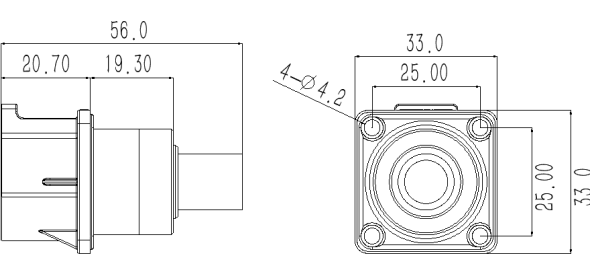
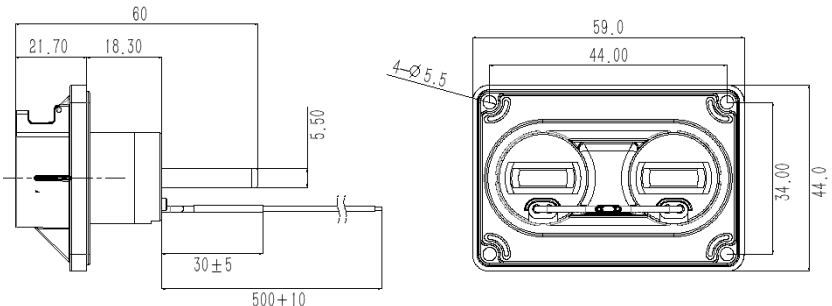
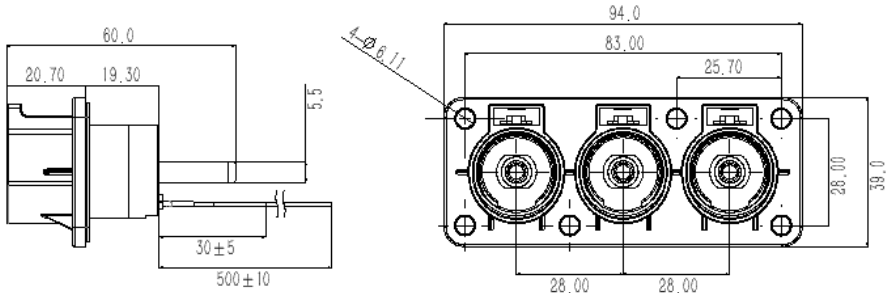
(&) Denote Busbar dimension with hole: M6, M8; D6, D8; H6, H8

## HOW TO ORDER RECEPTACLE? PART NUMBER SYSTEMS





Pictures	<p><b>GCMC1- 00 X - 200 - 10 M6</b></p> 
	<p>GCMC1 Series</p> <p>(A) Connector type : 00 : Single-core socket ; 20 : Two-core socket ; 30 : Three-core socket</p> <p>(B) Key position and color : "X" Key position , Orange (Include X/Y/U/V/W Five key positions)</p> <p>(C) Product Series : 200 : 200A Series (200/300/500 : Not contain HVIL ; 201/301/501 : Contain HVIL)</p> <p>(D) Direction of copper bar : 10 : Horizontal ; 90 : Vertical</p> <p>(E) Connection size : Threaded hole , M6 (M : Threaded hole , D : through-hole , H : waist-shaped hole)</p> <p>Note:          "T" added at the end indicates temperature detection function;          Two-core socket&amp;Three-core socket use with single-core plug;          The above models are not all, please contact your sales representative if necessary.</p>





# GCMC1-200 SERIES

## RECEPTACLE INSTALL DIMENSION

<p>GCMC1-00(*)-200-10M(&amp;) GCMC1-00(*)-201-10M(&amp;)</p> 	<p>GCMC1-00(*)-200-10D(&amp;) GCMC1-00(*)-201-10D(&amp;)</p> 
<p>GCMC1-00(*)-200-10H(&amp;) GCMC1-00(*)-201-10H(&amp;)</p> 	<p>GCMC1-00(*)-200-90M(&amp;) GCMC1-00(*)-201-90M(&amp;)</p> 
<p>GCMC1-00(*)-200-20M(&amp;) GCMC1-00(*)-201-20M(&amp;)</p> 	<p>GCMC1-00(*)-200-30C(&amp;) GCMC1-00(*)-201-30C(&amp;)</p> 
<p>GCM2-20(*)-200-10M(&amp;) GCM2-20(*)-201-10M(&amp;)</p> 	
<p>GCM3-30(*)-200-10M(&amp;) GCM3-30(*)-201-10M(&amp;)</p> 	

## PLUG

Item	Shielding Cable Straight Plug	Unshielding Cable Straight Plug	Shielding Cable 90 Degree Plug	Unshielding Cable 90 Degree Plug
Pictures				
Product Number No HVIL	GCMC1-18(*)-200-(&)	GCMC1-48(*)-200-(&)	GCMC1-28(*)-200-(&)	GCMC1-58(*)-200-(&)
TProduct Number With HVIL	GCMC1-18(*)-201-(&)	GCMC1-48(*)-201-(&)	GCMC1-28(*)-201-(&)	GCMC1-58(*)-201-(&)

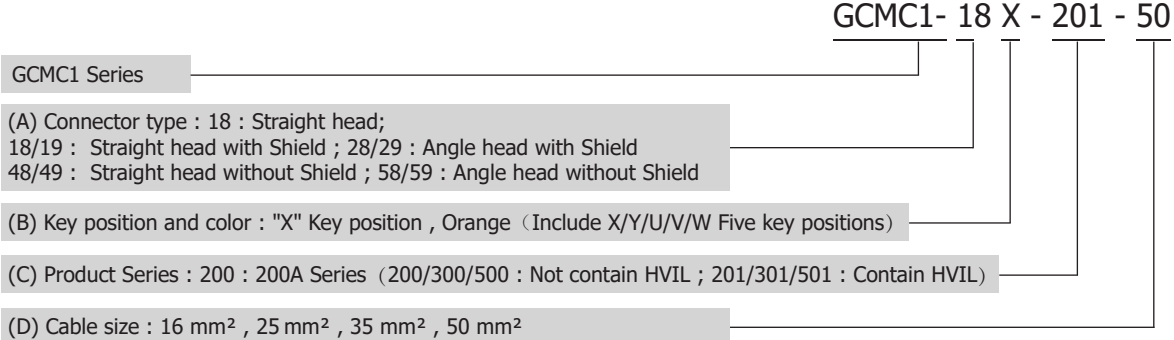


Item	Shielding Cable Straight Plug	Unshielding Cable Straight Plug	Shielding Cable 90 Degree Plug	Unshielding Cable 90 Degree Plug
Pictures				
Product Number No HVIL	GCMC1-19(*)-200-(&)	GCMC1-49(*)-200-(&)	GCMC1-29(*)-200-(&)	GCMC1-59(*)-200-(&)
Product Number With HVIL	GCMC1-19(*)-201-(&)	GCMC1-49(*)-201-(&)	GCMC1-29(*)-201-(&)	GCMC1-59(*)-201-(&)

**NOTES:**

(\*) Denote KEY Position: U , V , W , X , Y

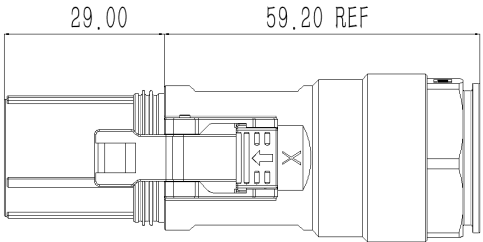
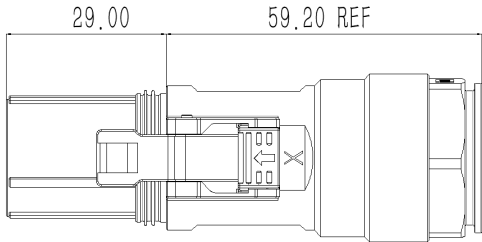
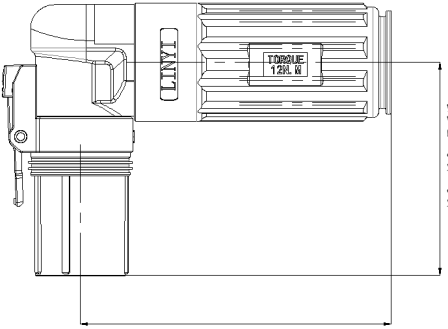
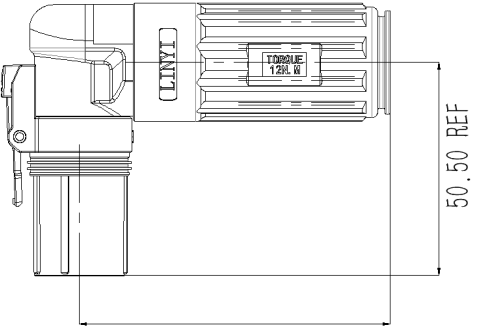
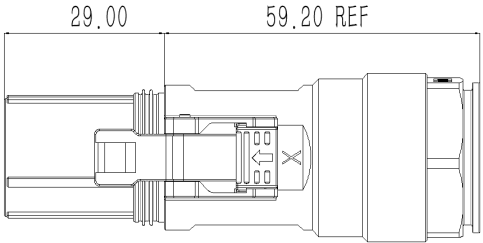
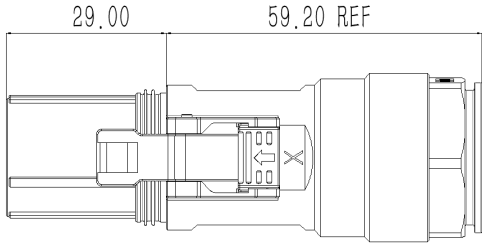
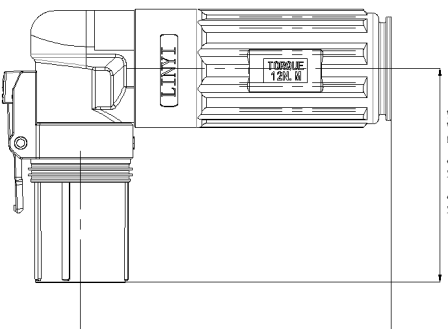
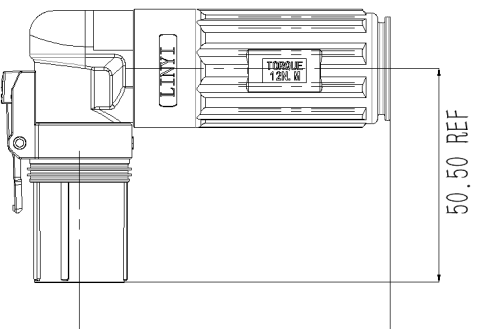
(&) Denote Cable dimension: 16 , 25 , 35 , 50

## HOW TO ORDER PLUG? PART NUMBER SYSTEMS


Pictures	<p><b>GCMC1- 18 X - 201 - 50</b></p> 
  	<p>GCMC1 Series</p> <p>(A) Connector type : 18 : Straight head;          18/19 : Straight head with Shield ; 28/29 : Angle head with Shield          48/49 : Straight head without Shield ; 58/59 : Angle head without Shield</p> <p>(B) Key position and color : "X" Key position , Orange (Include X/Y/U/V/W Five key positions)</p> <p>(C) Product Series : 200 : 200A Series (200/300/500 : Not contain HVIL ; 201/301/501 : Contain HVIL)</p> <p>(D) Cable size : 16 mm<sup>2</sup> , 25 mm<sup>2</sup> , 35 mm<sup>2</sup> , 50 mm<sup>2</sup></p> <p>Note:          18,28,48,58 represents the plug matched with the horizontal copper bar socket;          19,29,49,59 represents the plug matched with the vertical copper bar socket;          The above models are not all, please contact your sales representative if necessary.</p>

# GCMC1-200 SERIES


## PLUG INSTALL DIMENSION

<p>GCMC1-18(*)-200-&amp; GCMC1-18(*)-201-&amp;</p>  <p>29.00      59.20 REF</p>	<p>GCMC1-48(*)-200-&amp; GCMC1-48(*)-201-&amp;</p>  <p>29.00      59.20 REF</p>
<p>GCMC1-28(*)-200-&amp; GCMC1-28(*)-201-&amp;</p>  <p>75.60 REF      50.50 REF</p>	<p>GCMC1-58(*)-200-&amp; GCMC1-58(*)-201-&amp;</p>  <p>75.60 REF      50.50 REF</p>
<p>GCMC1-19(*)-200-&amp; GCMC1-19(*)-201-&amp;</p>  <p>29.00      59.20 REF</p>	<p>GCMC1-49(*)-200-&amp; GCMC1-49(*)-201-&amp;</p>  <p>29.00      59.20 REF</p>
<p>GCMC1-29(*)-200-&amp; GCMC1-29(*)-201-&amp;</p>  <p>75.60 REF      50.50 REF</p>	<p>GCMC1-59(*)-200-&amp; GCMC1-59(*)-201-&amp;</p>  <p>75.60 REF      50.50 REF</p>


## STRAIGHT PLUG, ACCEPT SHILED CABLE

Series	Accepted Cable Size	Rated Voltage	Rated Current	Product Number No HVIL	Product Number With HVIL	PICTURES
200 Series	16mm <sup>2</sup>	1500V DC	90A	GCMC1-18(*)-200-16	GCMC1-18(*)-201-16	
	25mm <sup>2</sup>	1500V DC	120A	GCMC1-18(*)-200-25	GCMC1-18(*)-201-25	
	35mm <sup>2</sup>	1500V DC	150A	GCMC1-18(*)-200-35	GCMC1-18(*)-201-35	
	50mm <sup>2</sup>	1500V DC	200A	GCMC1-18(*)-200-50	GCMC1-18(*)-201-50	


## 90 DEGREE PLUG, ACCEPT SHILED CABLE

Series	Accepted Cable Size	Rated Voltage	Rated Current	Product Number No HVIL	Product Number With HVIL	PICTURES
200 Series	16mm <sup>2</sup>	1500V DC	90A	GCMC1-28(*)-200-16	GCMC1-28(*)-201-16	
	25mm <sup>2</sup>	1500V DC	120A	GCMC1-28(*)-200-25	GCMC1-28(*)-201-25	
	35mm <sup>2</sup>	1500V DC	150A	GCMC1-28(*)-200-35	GCMC1-28(*)-201-35	
	50mm <sup>2</sup>	1500V DC	200A	GCMC1-28(*)-200-50	GCMC1-28(*)-201-50	

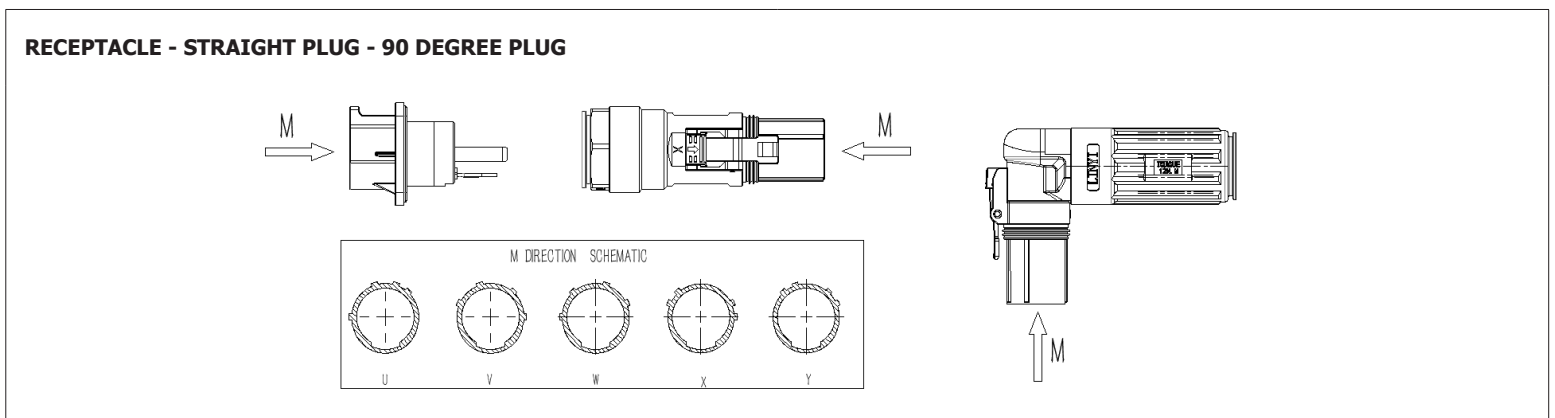
## STRAIGHT PLUG, ACCEPT SHILED CABLE

Series	Accepted Cable Size	Rated Voltage	Rated Current	Product Number No HVIL	Product Number With HVIL	PICTURES
200 Series	16mm <sup>2</sup>	1500V DC	90A	GCMC1-19(*)-200-16	GCMC1-19(*)-201-16	
	25mm <sup>2</sup>	1500V DC	120A	GCMC1-19(*)-200-25	GCMC1-19(*)-201-25	
	35mm <sup>2</sup>	1500V DC	150A	GCMC1-19(*)-200-35	GCMC1-19(*)-201-35	
	50mm <sup>2</sup>	1500V DC	200A	GCMC1-19(*)-200-50	GCMC1-19(*)-201-50	

## 90 DEGREE PLUG, ACCEPT SHILED CABLE

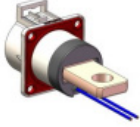
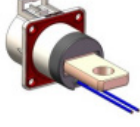

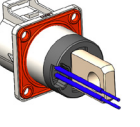
Series	Accepted Cable Size	Rated Voltage	Rated Current	Product Number No HVIL	Product Number With HVIL	PICTURES
200 Series	16mm <sup>2</sup>	1500V DC	90A	GCMC1-29(*)-200-16	GCMC1-29(*)-201-16	
	25mm <sup>2</sup>	1500V DC	120A	GCMC1-29(*)-200-25	GCMC1-29(*)-201-25	
	35mm <sup>2</sup>	1500V DC	150A	GCMC1-29(*)-200-35	GCMC1-29(*)-201-35	
	50mm <sup>2</sup>	1500V DC	200A	GCMC1-29(*)-200-50	GCMC1-29(*)-201-50	


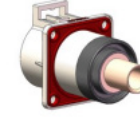
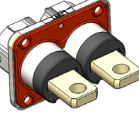
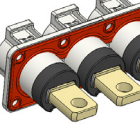
## KEY POSITION



# GCMC1-300 SERIES

## RECEPTACLE

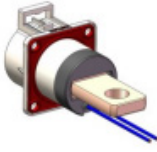
Item	180 Degree Busbar Lug	180 Degree Busbar Lug	180 Degree Busbar Lug	90 Degree Busbar Lug
Pictures				
Product Number No HVIL	GCMC1-00(*)-300-10M(&)	GCMC1-00(*)-300-10D(&)	GCMC1-00(*)-300-10H(&)	GCMC1-00(*)300-90M(&)
Product Number With HVIL	GCMC1-00(*)-301-10M(&)	GCMC1-00(*)-301-10D(&)	GCMC1-00(*)-301-10H(&)	GCMC1-00(*)-301-90M(&)

Item	Thread Pin	Tubular Lug	2 PIN Receptacle	3 PIN Receptacle
Pictures				
Product Number No HVIL	GCMC1-00(*)-300-20M(&)	GCMC1-00(*)-300-30C(&)	GCM2-20(*)-300-10M(&)	GCM3-30(*)-300-10M(&)
Product Number With HVIL	GCMC1-00(*)-301-20M(&)	N/A	GCM2-20(*)-301-10M(&)	GCM3-30(*)-301-10M(&)

NOTES:  
 (\*) Denote KEY Position: U, V, W, X, Y, T  
 (&) Denote Busbar dimension with hole: M6, M8, M10; D6, D8, D10; H6, H8, H10

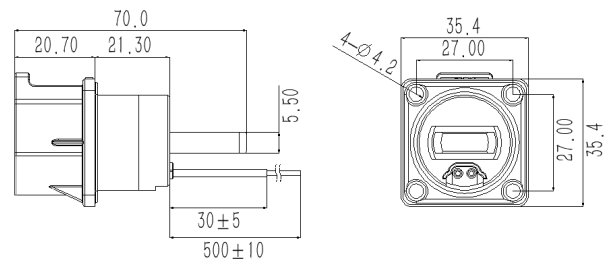
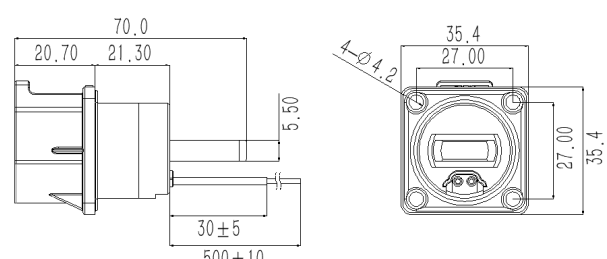
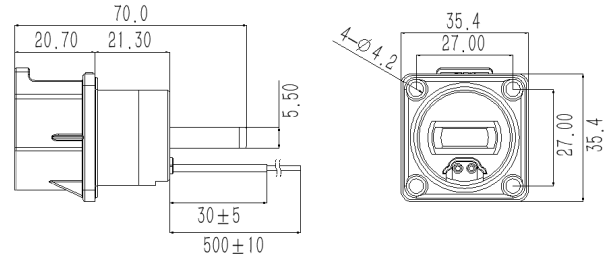
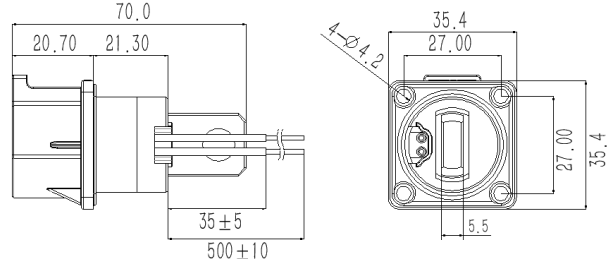
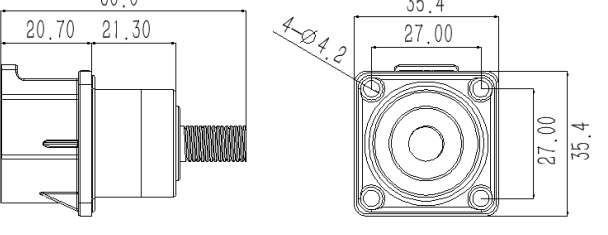
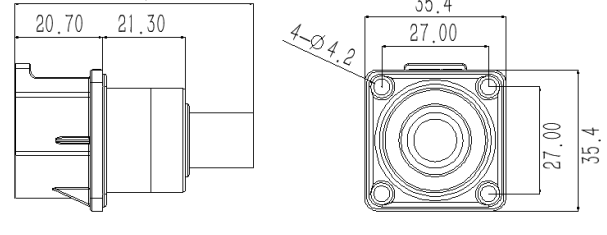
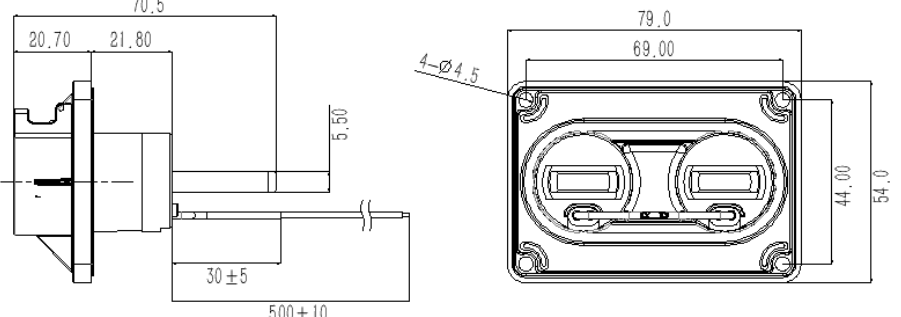
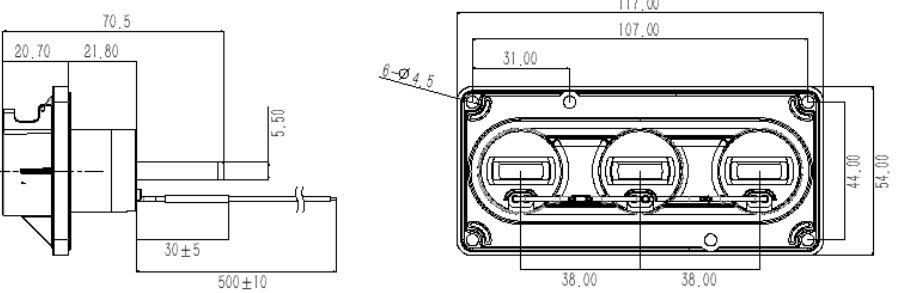
We regret to inform you that we are currently unable to supply the 300A 3-pin receptacle unless supported by sufficient project volume. Should you have a substantial demand for these receptacles, please reach out to our project manager to discuss further details.

## HOW TO ORDER RECEPTACLE? PART NUMBER SYSTEMS

Pictures	GCMC1 00 X - 300 - 10 M10
	<p>GCMC1 Series</p> <p>(A) Connector type : 00 : Single-core socket ; 20 : Two-core socket ; 30 : Three-core socket</p> <p>(B) Key position and color : "X" Key position , Orange (Include X/Y/U/V/W/T Six key positions)</p> <p>(C) Product Series : 300 : 300A Series (200/300/500 : Not contain HVIL ; 201/301/501 : Contain HVIL)</p> <p>(D) Direction of copper bar : 10 : Horizontal ; 90 : Vertical</p> <p>(E) Connection size : Threaded hole , M10 (M : Threaded hole , D : through-hole , H : waist-shaped hole)</p>
	<p>Note:          "T" added at the end indicates temperature detection function;          Two-core socket&amp;Three-core socket use with single-core plug;          The above models are not all, please contact your sales representative if necessary.</p>











## RECEPTACLE INSTALL DIMENSION

<p>GCMC1-00(*)-300-10M(&amp; GCMC1-00(*)-301-10M(&amp;</p> 	<p>GCMC1-00(*)-300-10D(&amp; GCMC1-00(*)-301-10D(&amp;</p> 
<p>GCMC1-00(*)-300-10H(&amp; GCMC1-00(*)-301-10H(&amp;</p> 	<p>GCMC1-00(*)300-90M(&amp; GCMC1-00(*)301-90M(&amp;</p> 
<p>GCMC1-00(*)-300-20M(&amp;</p> 	<p>GCMC1-00(*)-300-30C(&amp;</p> 
<p>GCM2-20(*)-300-10M(&amp; GCM2-20(*)-301-10M(&amp;</p> 	
<p>GCM3-30(*)-300-10M(&amp; GCM3-30(*)-301-10M(&amp;</p> 	

# GCMC1-300 SERIES

## PLUG



Item	Shielding Cable Straight Plug	Unshielding Cable Straight Plug	Shielding Cable 90 Degree Plug	Unshielding Cable 90 Degree Plug
Pictures				
Product Number No HVIL	GCMC1-18(*)-300-(&)	GCMC1-48(*)-300-(&)	GCMC1-28(*)-300-(&)	GCMC1-58(*)-300-(&)
Product Number With HVIL	GCMC1-18(*)-301-(&)	GCMC1-48(*)-301-(&)	GCMC1-28(*)-301-(&)	GCMC1-58(*)-301-(&)

Item	Shielding Cable Straight Plug	Unshielding Cable Straight Plug	Shielding Cable 90 Degree Plug	Unshielding Cable 90 Degree Plug
Pictures				
Product Number No HVIL	GCMC1-19(*)-300-(&)	GCMC1-49(*)-300-(&)	GCMC1-29(*)-300-(&)	GCMC1-59(*)-300-(&)
Product Number With HVIL	GCMC1-19(*)-301-(&)	GCMC1-49(*)-301-(&)	GCMC1-29(*)-301-(&)	GCMC1-59(*)-301-(&)

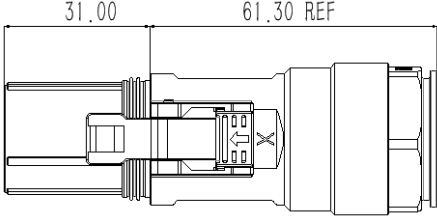
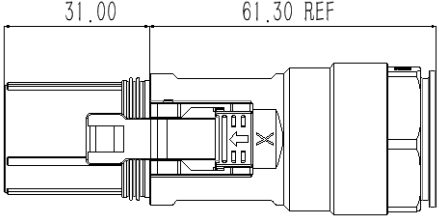
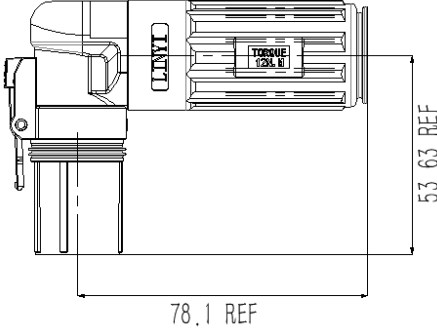
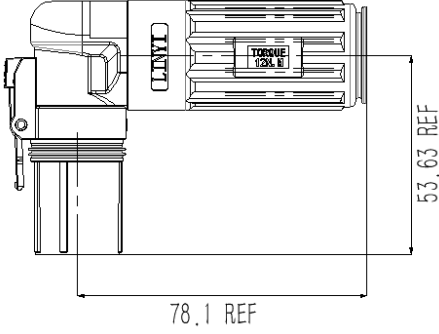
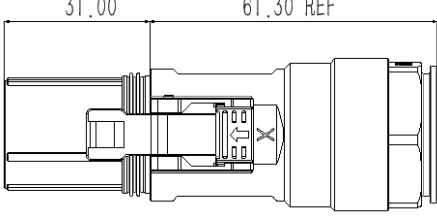
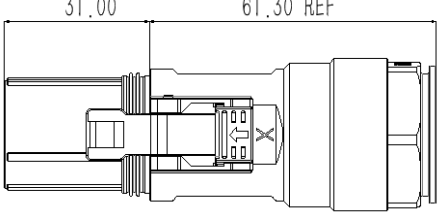
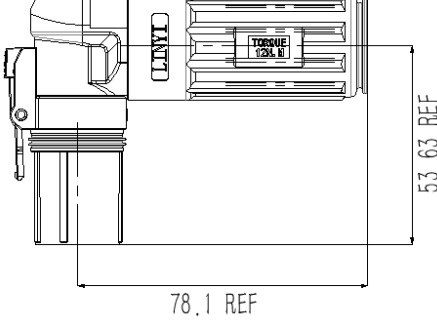
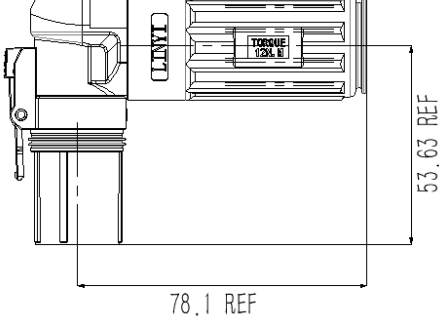
### NOTES:

(\*) Denote KEY Position: U , V , W , X , Y , T  
 (&) Denote Cable dimension: 35 , 50 , 70 , 95

## HOW TO ORDER PLUG? PART NUMBER SYSTEMS


Pictures	
 	<p style="text-align: right;"><b>GCMC1 18 X - 301 - 70</b></p> <p>GCMC1 Series</p> <p>(A) Connector type : 18 : Straight head ;                      18/19 : Straight head with Shield ; 28/29 : Angle head with Shield                      48/49 : Straight head without Shield ; 58/59 : Angle head without Shield</p> <p>(B) Key position and color : "X" Key position , Orange (Include X/Y/U/V/W/T Six key positions)</p> <p>(C) Product Series : 300 : 300A Series (200/300/500 : Not contain HVIL ; 201/301/501 : Contain HVIL)</p> <p>(D) Cable size : 35mm<sup>2</sup> , 50 mm<sup>2</sup> , 70 mm<sup>2</sup> , 95 mm<sup>2</sup></p> <p>Note:                      18,28,48,58 represents the plug matched with the horizontal copper bar socket;                      19,29,49,59 represents the plug matched with the vertical copper bar socket;                      The above models are not all, please contact your sales representative if necessary.</p>

## PLUG INSTALL DIMENSION


<p>GCMC1-18(*)-300-(&amp; GCMC1-18(*)-301-(&amp;</p> 	<p>GCMC1-48(*)-300-(&amp; GCMC1-48(*)-301-(&amp;</p> 
<p>GCMC1-28(*)-300-(&amp; GCMC1-28(*)-301-(&amp;</p> 	<p>GCMC1-58(*)-300-(&amp; GCMC1-58(*)-301-(&amp;</p> 
<p>GCMC1-19(*)-300-(&amp; GCMC1-19(*)-301-(&amp;</p> 	<p>GCMC1-49(*)-300-(&amp; GCMC1-49(*)-301-(&amp;</p> 
<p>GCMC1-29(*)-300-(&amp; GCMC1-29(*)-301-(&amp;</p> 	<p>GCMC1-59(*)-300-(&amp; GCMC1-59(*)-301-(&amp;</p> 

# GCMC1-300 SERIES


## STRAIGHT PLUG, ACCEPT SHILED CABLE

Series	Accepted Cable Size	Rated Voltage	Rated Current	Product Number No HVIL	Product Number With HVIL	PICTURES
300 Series	35mm <sup>2</sup>	1500V DC	150A	GCMC1-18(*)-300-35	GCMC1-18(*)-301-35	
	50mm <sup>2</sup>	1500V DC	200A	GCMC1-18(*)-300-50	GCMC1-18(*)-301-50	
	70mm <sup>2</sup>	1500V DC	250A	GCMC1-18(*)-300-70	GCMC1-18(*)-301-70	
	95mm <sup>2</sup>	1500V DC	300A	GCMC1-18(*)-300-95	GCMC1-18(*)-301-95	


## 90 DEGREE PLUG, ACCEPT SHILED CABLE

Series	Accepted Cable Size	Rated Voltage	Rated Current	Product Number No HVIL	Product Number With HVIL	PICTURES
300 Series	35mm <sup>2</sup>	1500V DC	150A	GCMC1-28(*)-300-35	GCMC1-28(*)-301-35	
	50mm <sup>2</sup>	1500V DC	200A	GCMC1-28(*)-300-50	GCMC1-28(*)-301-50	
	70mm <sup>2</sup>	1500V DC	250A	GCMC1-28(*)-300-70	GCMC1-28(*)-301-70	
	95mm <sup>2</sup>	1500V DC	300A	GCMC1-28(*)-300-95	GCMC1-28(*)-301-95	

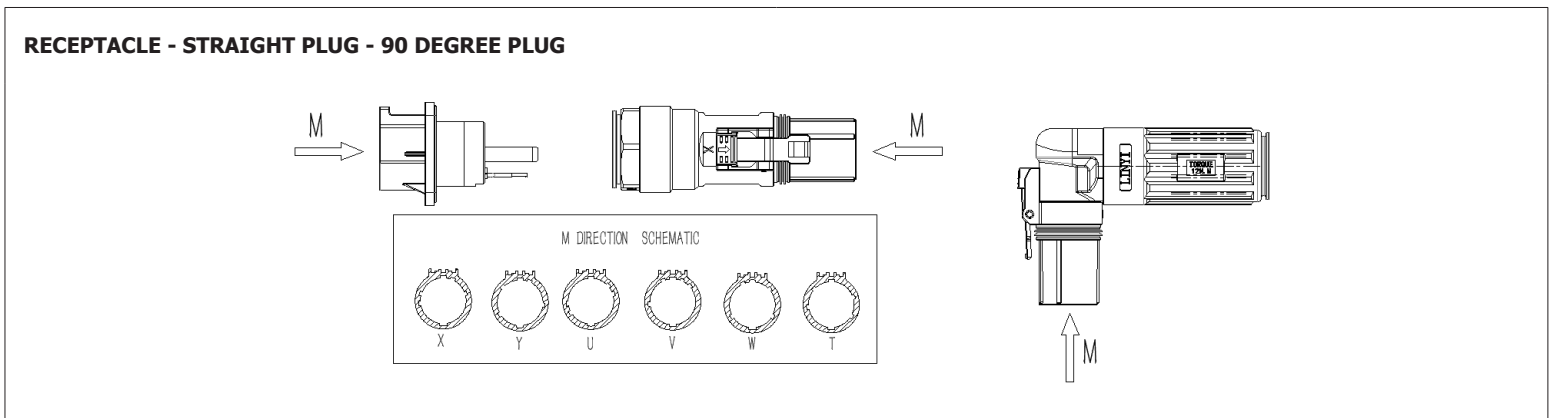
## STRAIGHT PLUG, ACCEPT SHILED CABLE

Series	Accepted Cable Size	Rated Voltage	Rated Current	Product Number No HVIL	Product Number With HVIL	PICTURES
300 Series	35mm <sup>2</sup>	1500V DC	150A	GCMC1-19(*)-300-35	GCMC1-19(*)-301-35	
	50mm <sup>2</sup>	1500V DC	200A	GCMC1-19(*)-300-50	GCMC1-19(*)-301-50	
	70mm <sup>2</sup>	1500V DC	250A	GCMC1-19(*)-300-70	GCMC1-19(*)-301-70	
	95mm <sup>2</sup>	1500V DC	300A	GCMC1-19(*)-300-95	GCMC1-19(*)-301-95	

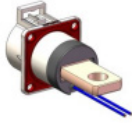
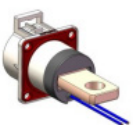
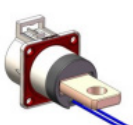
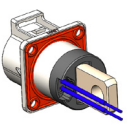
## 90 DEGREE PLUG, ACCEPT SHILED CABLE

Series	Accepted Cable Size	Rated Voltage	Rated Current	Product Number No HVIL	Product Number With HVIL	PICTURES
300 Series	35mm <sup>2</sup>	1500V DC	150A	GCMC1-29(*)-300-35	GCMC1-29(*)-301-35	
	50mm <sup>2</sup>	1500V DC	200A	GCMC1-29(*)-300-50	GCMC1-29(*)-301-50	
	70mm <sup>2</sup>	1500V DC	250A	GCMC1-29(*)-300-70	GCMC1-29(*)-301-70	
	95mm <sup>2</sup>	1500V DC	300A	GCMC1-29(*)-300-95	GCMC1-29(*)-301-95	

## KEY POSITION



## RECEPTACLE

Item	180 Degree Busbar Lug	180 Degree Busbar Lug	180 Degree Busbar Lug	90 Degree Busbar Lug
Pictures				
Product Number No HVIL	GCMC1-00(*)-500-10M(&)	GCMC1-00(*)-500-10D(&)	GCMC1-00(*)-500-10H(&)	GCMC1-00(*)500-90M(&)
Product Number With HVIL	GCMC1-00(*)-501-10M(&)	GCMC1-00(*)-501-10D(&)	GCMC1-00(*)-501-10H(&)	GCMC1-00(*)-501-90M(&)

Item	Thread Pin	Tubular Lug	2 PIN Receptacle	3 PIN Receptacle
Pictures				
Product Number No HVIL	GCMC1-00(*)-500-20M(&)	GCMC1-00(*)-500-30C(&)	GCM2-20(*)-500-10M(&)	GCM3-30(*)-500-10M(&)
Product Number With HVIL	GCMC1-00(*)-501-20M(&)	N/A	GCM2-20(*)-501-10M(&)	GCM3-30(*)-501-10M(&)


**NOTES:**

(\*) Denote KEY Position: U , V , W , X , Y

(&) Denote Busbar dimension with hole : M6 , M8 , M10 ; D6 , D8 , D10 ; H6 , H8 , H10

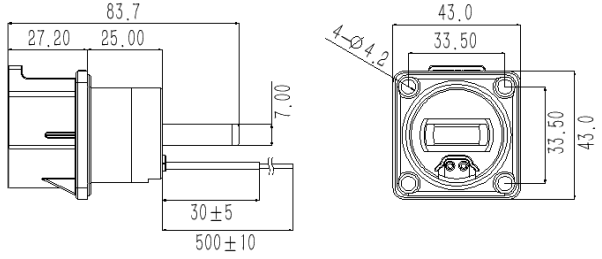
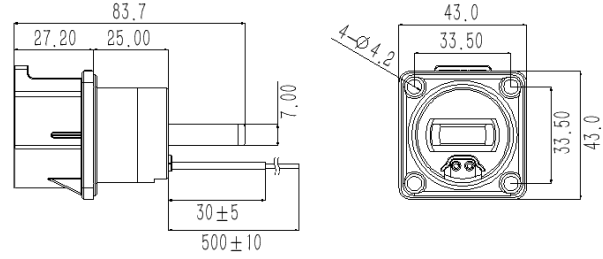
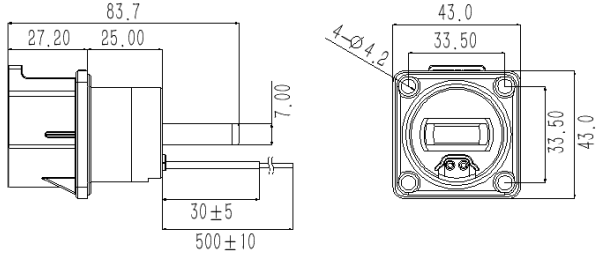
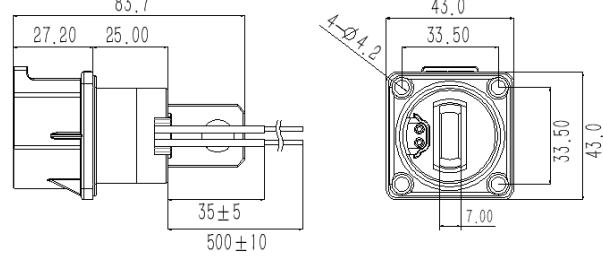
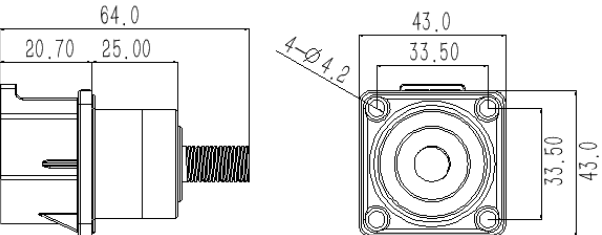
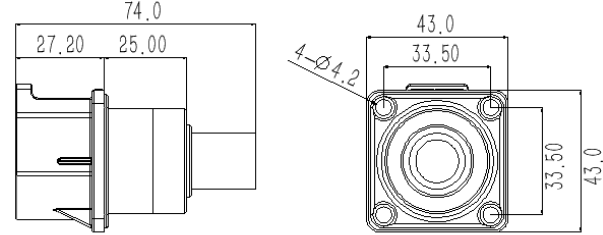
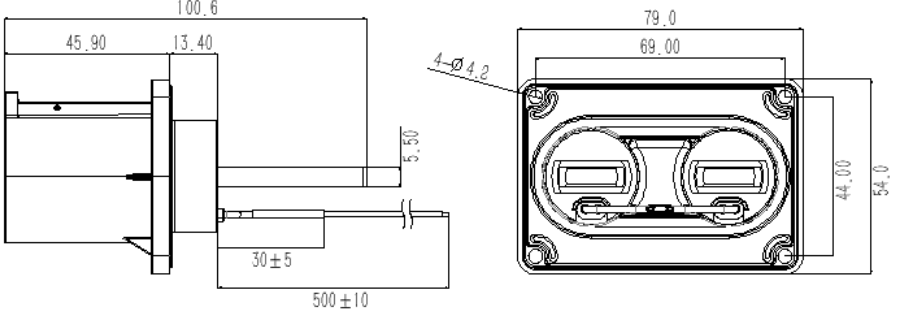
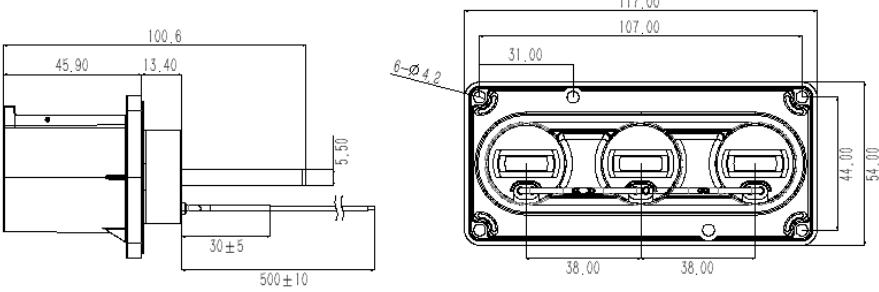
We regret to inform you that we are currently unable to supply the 500A 2-pin and 3-pin receptacles unless supported by sufficient project volume. Should you have a substantial demand for these receptacles, please reach out to our project manager to discuss further details.

## HOW TO ORDER RECEPTACLE? PART NUMBER SYSTEMS





<p>Pictures</p> 	<p style="text-align: right; font-weight: bold;">GCMC1- 00 X - 500 - 10 M10</p> <p>GCMC1 Series</p> <p>(A) Connector type : 00 : Single-core socket ; 20 : Two-core socket ; 30 : Three-core socket</p> <p>(B) Key position and color : "X" Key position , Orange (Include X/Y/U/V/W Five key positions)</p> <p>(C) Product Series : 500 : 500A Series (200/300/500 : Not contain HVIL ; 201/301/501 : Contain HVIL)</p> <p>(D) Direction of copper bar : 10 : Horizontal ; 90 : Vertical</p> <p>(E) Connection size : Threaded hole , M10 (M : Threaded hole , D : through-hole , H : waist-shaped hole)</p> <p>Note:              "T" added at the end indicates temperature detection function;              Two-core socket&amp;Three-core socket use with single-core plug;              The above models are not all, please contact your sales representative if necessary.</p>
---	--





# GCMC1-500 SERIES

## RECEPTACLE INSTALL DIMENSION

<p>GCMC1-00(*)-500-10M(&amp;) GCMC1-00(*)-501-10M(&amp;)</p> 	<p>GCMC1-00(*)-500-10D(&amp;) GCMC1-00(*)-501-10D(&amp;)</p> 
<p>GCMC1-00(*)-500-10H(&amp;) GCMC1-00(*)-501-10H(&amp;)</p> 	<p>GCMC1-00(*)-500-90M(&amp;) GCMC1-00(*)-501-90M(&amp;)</p> 
<p>GCMC1-00(*)-500-20M(&amp;)</p> 	<p>GCMC1-00(*)-500-30C(&amp;)</p> 
<p>GCM2-20(*)-500-10M(&amp;) GCM2-20(*)-501-10M(&amp;)</p> 	
<p>GCM3-30(*)-500-10M(&amp;) GCM3-30(*)-501-10M(&amp;)</p> 	

## PLUG

Item	Shielding Cable Straight Plug	Unshielding Cable Straight Plug	Shielding Cable 90 Degree Plug	Unshielding Cable 90 Degree Plug
Pictures				
Product Number No HVIL	GCMC1-18(*)-500-(&)	GCMC1-48(*)-500-(&)	GCMC1-28(*)-500-(&)	GCMC1-58(*)-500-(&)
Product Number With HVIL	GCMC1-18(*)-501-(&)	GCMC1-48(*)-501-(&)	GCMC1-28(*)-501-(&)	GCMC1-58(*)-501-(&)



Item	Shielding Cable Straight Plug	Unshielding Cable Straight Plug	Shielding Cable 90 Degree Plug	Unshielding Cable 90 Degree Plug
Pictures				
Product Number No HVIL	GCMC1-19(*)-500-(&)	GCMC1-49(*)-500-(&)	GCMC1-29(*)-500-(&)	GCMC1-59(*)-500-(&)
Product Number With HVIL	GCMC1-19(*)-501-(&)	GCMC1-49(*)-501-(&)	GCMC1-29(*)-501-(&)	GCMC1-59(*)-501-(&)

**NOTES:**

(\*) Denote KEY Position: U , V , W , X , Y

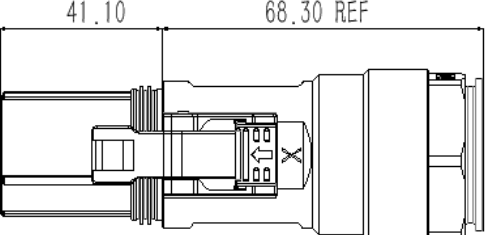
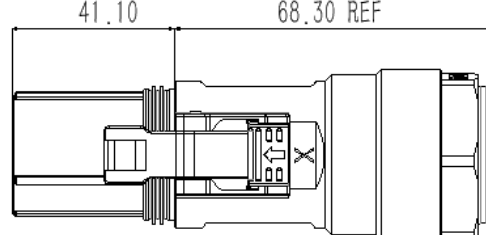
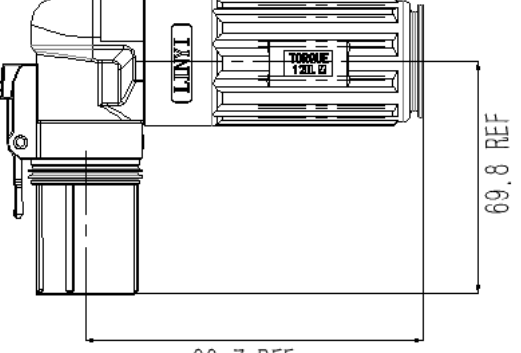
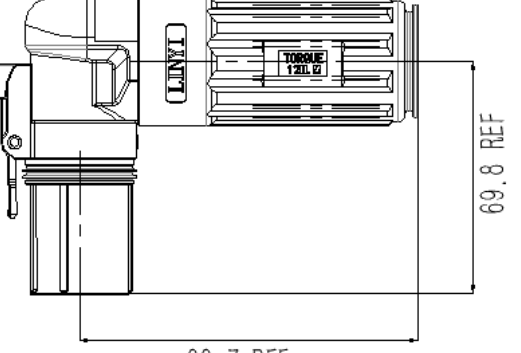
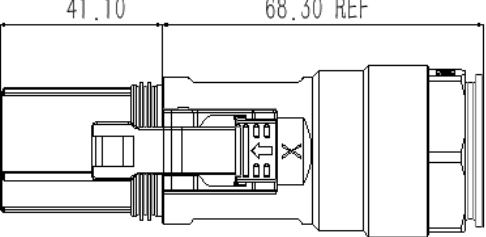
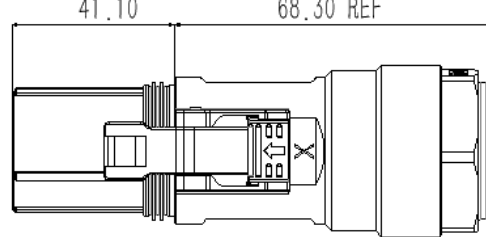
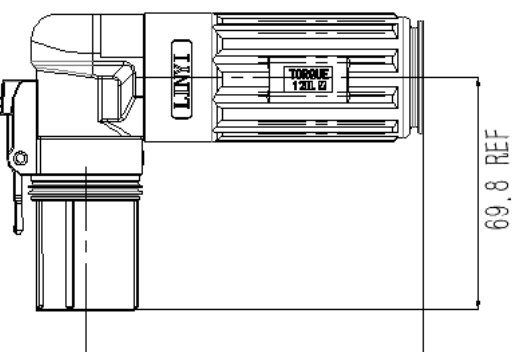
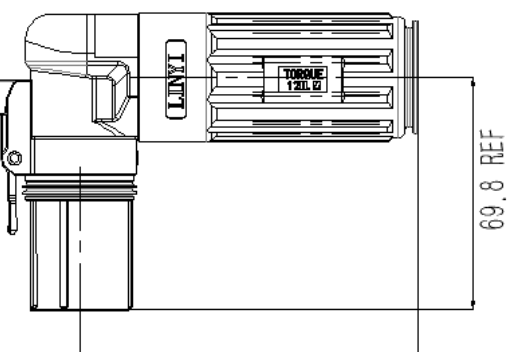
(&) Denote Cable dimension: 95 , 120 , 135 , 150

## HOW TO ORDER PLUG? PART NUMBER SYSTEMS

Pictures	<b>GCMC1- 18 X - 501 - 70</b>
  	<p>GCMC1 Series</p> <p>(A) Connector type : 18 : Straight head ;          18/19 : Straight head with Shield ; 28/29 : Angle head with Shield          48/49 : Straight head without Shield ; 58/59 : Angle head without Shield</p> <p>(B) Key position and color : "X" Key position , Orange (Include X/Y/U/V/W Five key positions)</p> <p>(C) Product Series : 500 : 500A Series (200/300/500 : Not contain HVIL ; 201/301/501 : Contain HVIL)</p> <p>(D) Cable Size : 95mm<sup>2</sup> , 120mm<sup>2</sup> , 135mm<sup>2</sup> , 150mm<sup>2</sup></p> <p>Note:          18,28,48,58 represents the plug matched with the horizontal copper bar socket;          19,29,49,59 represents the plug matched with the vertical copper bar socket;          The above models are not all, please contact your sales representative if necessary.</p>


# GCMC1-500 SERIES

## PLUG INSTALL DIMENSION


<p>GCMC1-18(*)-500-(&amp;) GCMC1-18(*)-501-(&amp;)</p>  <p>41.10      68.30 REF</p>	<p>GCMC1-48(*)-500-(&amp;) GCMC1-48(*)-501-(&amp;)</p>  <p>41.10      68.30 REF</p>
<p>GCMC1-28(*)-500-(&amp;) GCMC1-28(*)-501-(&amp;)</p>  <p>88.7 REF      69.8 REF</p>	<p>GCMC1-58(*)-500-(&amp;) GCMC1-58(*)-501-(&amp;)</p>  <p>88.7 REF      69.8 REF</p>
<p>GCMC1-19(*)-500-(&amp;) GCMC1-19(*)-501-(&amp;)</p>  <p>41.10      68.30 REF</p>	<p>GCMC1-49(*)-500-(&amp;) GCMC1-49(*)-501-(&amp;)</p>  <p>41.10      68.30 REF</p>
<p>GCMC1-29(*)-500-(&amp;) GCMC1-29(*)-501-(&amp;)</p>  <p>88.7 REF      69.8 REF</p>	<p>GCMC1-59(*)-500-(&amp;) GCMC1-59(*)-501-(&amp;)</p>  <p>88.7 REF      69.8 REF</p>




## STRAIGHT PLUG, ACCEPT SHILED CABLE

Series	Accepted Cable Size	Rated Voltage	Rated Current	Product Number No HVIL	Product Number With HVIL	PICTURES
500 Series	95mm <sup>2</sup>	1500V DC	320A	GCMC1-8(*)-500-95	GCMC1-18(*)-501-95	
	120mm <sup>2</sup>	1500V DC	350A	GCMC1-18(*)-500-120	GCMC1-18(*)-501-120	
	135mm <sup>2</sup>	1500V DC	400A	GCMC1-18(*)-500-135	GCMC1-18(*)-501-135	
	150mm <sup>2</sup>	1500V DC	500A	GCMC1-18(*)-500-150	GCMC1-18(*)-501-150	


## 90 DEGREE PLUG, ACCEPT SHILED CABLE

Series	Accepted Cable Size	Rated Voltage	Rated Current	Product Number No HVIL	Product Number With HVIL	PICTURES
500 Series	95mm <sup>2</sup>	1500V DC	320A	GCMC1-28(*)-500-95	GCMC1-28(*)-501-95	
	120mm <sup>2</sup>	1500V DC	350A	GCMC1-28(*)-500-120	GCMC1-28(*)-501-120	
	135mm <sup>2</sup>	1500V DC	400A	GCMC1-28(*)-500-135	GCMC1-28(*)-501-135	
	150mm <sup>2</sup>	1500V DC	500A	GCMC1-28(*)-500-150	GCMC1-28(*)-501-150	

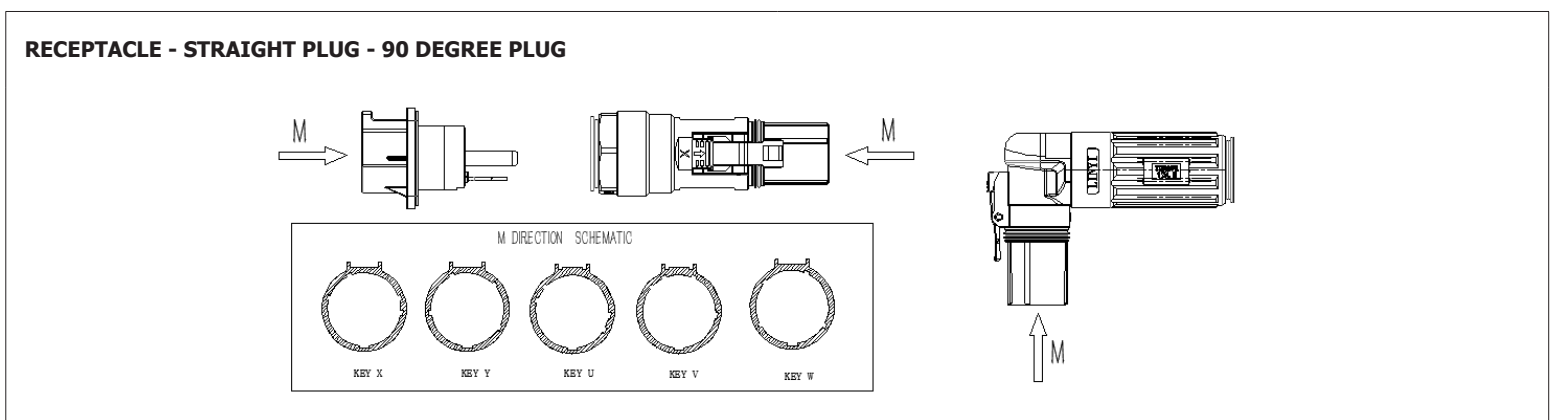
## STRAIGHT PLUG, ACCEPT SHILED CABLE

Series	Accepted Cable Size	Rated Voltage	Rated Current	Product Number No HVIL	Product Number With HVIL	PICTURES
500 Series	95mm <sup>2</sup>	1500V DC	320A	GCMC1-19(*)-500-95	GCMC1-19(*)-501-95	
	120mm <sup>2</sup>	1500V DC	350A	GCMC1-19(*)-500-120	GCMC1-19(*)-501-120	
	135mm <sup>2</sup>	1500V DC	400A	GCMC1-19(*)-500-135	GCMC1-19(*)-501-135	
	150mm <sup>2</sup>	1500V DC	500A	GCMC1-19(*)-500-150	GCMC1-19(*)-501-150	

## 90 DEGREE PLUG, ACCEPT SHILED CABLE

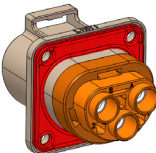
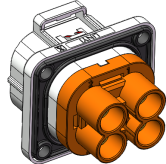
Series	Accepted Cable Size	Rated Voltage	Rated Current	Product Number No HVIL	Product Number With HVIL	PICTURES
500 Series	95mm <sup>2</sup>	1500V DC	320A	GCMC1-29(*)-500-95	GCMC1-29(*)-501-95	
	120mm <sup>2</sup>	1500V DC	350A	GCMC1-29(*)-500-120	GCMC1-29(*)-501-120	
	135mm <sup>2</sup>	1500V DC	400A	GCMC1-29(*)-500-135	GCMC1-29(*)-501-135	
	150mm <sup>2</sup>	1500V DC	500A	GCMC1-29(*)-500-150	GCMC1-29(*)-501-150	

## KEY POSITION



# PRC40 SERIES

## RECEPTACLE

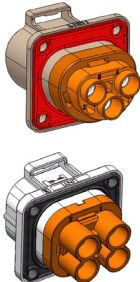
Item	Three-core Pin	Four-core Pin
Pictures		
Product Number No HVIL	PRC083(*)-40-(&)	PRC084(*)-40-(&)
Product Number With HVIL	PRC083(*)-41-(&)	PRC084(*)-41-(&)

### NOTES:

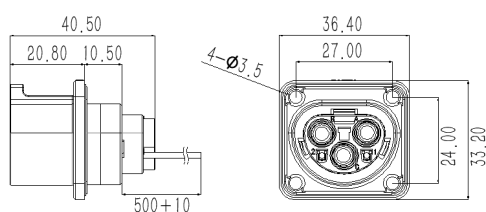
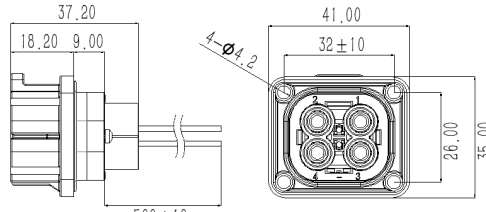
(\*) Denote KEY Position: X , Y , U

(&) Denote Cable size: 2.5 , 4 , 6

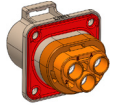

## HOW TO ORDER RECEPTACLE? PART NUMBER SYSTEMS

Pictures	
	<p style="text-align: right;"><b>GCMC1- 083 X - 40 - 2.5</b></p> <p>GCMC1- Series</p> <p>(A) Connector type : 083: Three-core socket ; 084 : Four-core socket</p> <p>(B) Key position and color : "X" Key position Orange (Include X/Y/U Three key positions)</p> <p>(C) Product Series : 40 : Not contain HVIL , 41 : Contain HVIL</p> <p>(D) Cable size : 2.5 mm<sup>2</sup> , 4 mm<sup>2</sup> , 6 mm<sup>2</sup></p> <p>Note: The above models are not all, please contact your sales representative if necessary.</p>



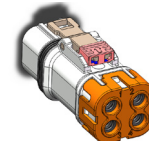
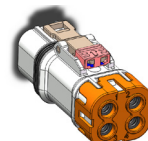
## RECEPTACLE INSTALL DIMENSION

<p>PRC083(*)-40-(&amp;) PRC083(*)-41-(&amp;)</p> 	<p>PRC084(*)-40-(&amp;) PRC084(*)-41-(&amp;)</p> 
---	---

## RECEPTACLE PARAMETER TABLE, ACCEPT WIRES

Series	Accepted Cable Size	Rated Voltage	Rated Current	Product Number No HVIL	Product Number With HVIL	PICTURES
40A Three-core Series	2.5mm <sup>2</sup>	1000V DC	20A	PRC083(*)-40-2.5	PRC083(*)-41-2.5	
	4mm <sup>2</sup>	1000V DC	30A	PRC083(*)-40-4	PRC083(*)-41-4	
	6mm <sup>2</sup>	1000V DC	40A	PRC083(*)-40-6	PRC083(*)-41-6	
40A Four-core Series	2.5mm <sup>2</sup>	1000V DC	20A	PRC084(*)-40-2.5	PRC084(*)-41-2.5	
	4mm <sup>2</sup>	1000V DC	30A	PRC084(*)-40-4	PRC084(*)-41-4	
	6mm <sup>2</sup>	1000V DC	40A	PRC084(*)-40-6	PRC084(*)-41-6	


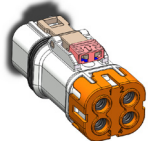
## PLUG

Item	Shielding Cable Three-core Integrated Plug	Unshielding Cable Three-core Integrated Plug	Shielding Cable Four-core Plug	Unshielding Cable Four-core Plug
Pictures				
Product Number No HVIL	PRC163(*)-40-(&)	PRC463(*)-40-(&)	PRC184(*)-40-(&)	PRC484(*)-40-(&)
Product Number With HVIL	PRC163(*)-41-(&)	PRC463(*)-41-(&)	PRC184(*)-41-(&)	PRC484(*)-40-(&)

### NOTES:

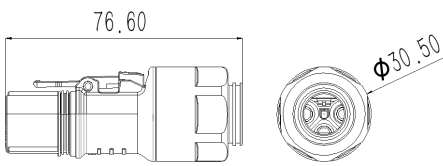
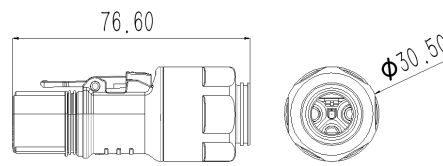
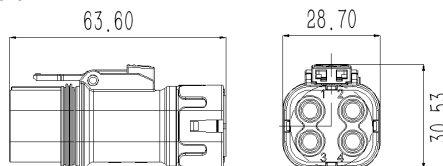
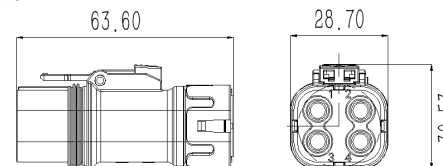
(\*) Denote KEY Position: X, Y, U  
 (&) Denote Cable size: 2.5, 4, 6

## HOW TO ORDER PLUG? PART NUMBER SYSTEMS


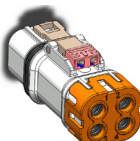
Pictures    	<div style="text-align: right; font-weight: bold; margin-bottom: 10px;">GCMC1- 163 X - 40 - 2.5</div> <p>GCMC1- Series</p> <p>(A) Connector type :                      163 : Shielding Cable Three-core Integrated Plug                      463 : Unshielding Cable Tree-core Integrated Plug                      184 : Shielding Cable Four-core Plug                      484 : Unshielding Cable Four-core Plug</p> <p>(B) Key position and color : "X" Key position , Orange (Include X/Y/U Three key positions)</p> <p>(C) Product Series : 40 : Not contain HVIL ; 41 : Contain HVIL</p> <p>(D) Cable size : 2.5 mm<sup>2</sup> , 4 mm<sup>2</sup> , 6 mm<sup>2</sup></p> <p>Note:                      The above models are not all, please contact your sales representative if necessary.</p>
--	---

# PRC40 SERIES

## PLUG INSTALL DIMENSION

<p>PRC163(*)-40-(&amp; PRC163(*)-41-(&amp;</p> 	<p>PRC463(*)-40-(&amp; PRC463(*)-41-(&amp;</p> 
<p>PRC184(*)-40-(&amp; PRC184(*)-41-(&amp;</p> 	<p>PRC484(*)-40-(&amp; PRC484(*)-41-(&amp;</p> 

## PLUG PARAMETER TABLE, ACCEPT SHILED CABLE

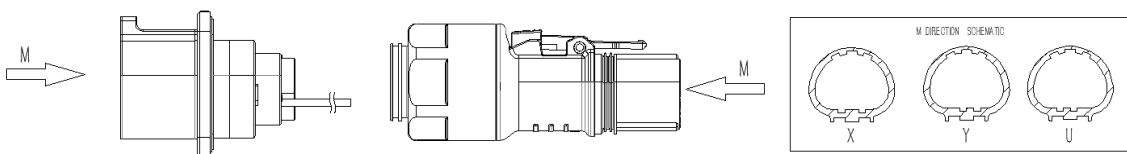
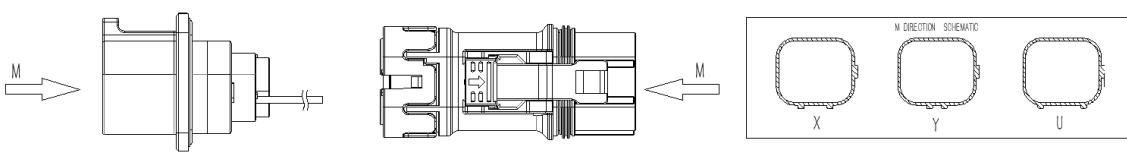
Series	Accepted Cable Size	Rated Voltage	Rated Current	Shielding Cable Three-core Integrated Plug	Unshielding Cable Three-core Integrated Plug	Picture
40A Three-core Series	2.5mm <sup>2</sup>	1000V DC	20A	PRC163(*)-4(&-2.5	PRC463(*)-4(&-2.5	
	4mm <sup>2</sup>	1000V DC	30A	PRC163(*)-4(&-4	PRC463(*)-4(&-4	
	6mm <sup>2</sup>	1000V DC	40A	PRC163(*)-4(&-6	PRC463(*)-4(&-6	
Series	Accepted Cable Size	Rated Voltage	Rated Current	Shielding Cable Four-core Plug	Unshielding Cable Four-core Plug	Picture
40A Four-core Series	2.5mm <sup>2</sup>	1000V DC	20A	PRC184(*)-4(&-2.5	PRC484(*)-4(&-2.5	
	4mm <sup>2</sup>	1000V DC	30A	PRC184(*)-4(&-4	PRC484(*)-4(&-4	
	6mm <sup>2</sup>	1000V DC	40A	PRC184(*)-4(&-6	PRC484(*)-4(&-6	

### NOTES:

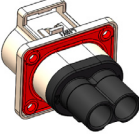
(\*) Denote KEY Position: X, Y, U

(&) Denote HVIL : 0 : Not contain HVIL ; 1 : Contain HVIL

## KEY POSITION

<p><b>40A Three-core Series</b></p> 
<p><b>40A Four-core Series</b></p> 

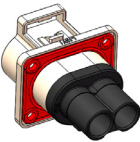
## RECEPTACLE

Item	Two-core Pin
Pictures	
Product Number No HVIL	PRC082(*)-60-(&)
Product Number With HVIL	PRC082(*)-61-(&)

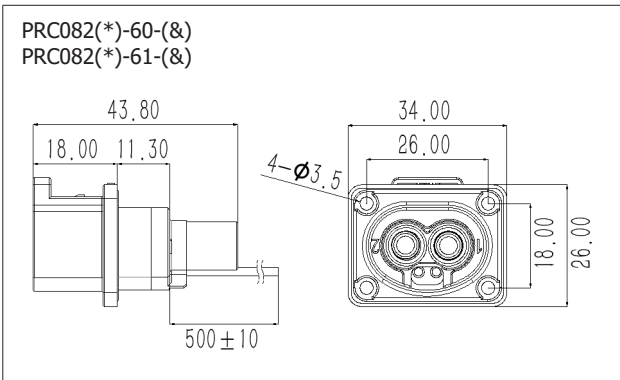
**NOTES:**

(\*) Denote KEY Position: X , Y , U , V  
 (&) Denote Cable size: 2.5 , 4 , 6 , 10

## HOW TO ORDER RECEPTACLE? PART NUMBER SYSTEMS

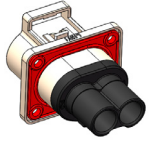
Pictures	<b>GCMC1- 082 X - 60 - 2.5</b>
	<p>GCMC1- Series</p> <p>(A) Connector type : 082: Two-core socket</p> <p>(B) Key position and color : "X" Key position , Orange (Include X/Y/U/V Four key positions)</p> <p>(C) Product Series : 60 : Not contain HVIL ; 61 : Contain HVIL</p> <p>(D) Cable size : 2.5 mm<sup>2</sup> , 4 mm<sup>2</sup> , 6 mm<sup>2</sup> , 10 mm<sup>2</sup></p> <p>Note: The above models are not all, please contact your sales representative if necessary.</p>

## RECEPTACLE INSTALL DIMENSION

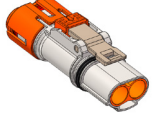
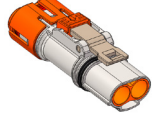




# PRC60 SERIES

## RECEPTACLE PARAMETER TABLE, ACCEPT WIRES

Series	Accepted Cable Size	Rated Voltage	Rated Current	Product Number No HVIL	Product Number With HVIL	PICTURES
60A Two-core Series	2.5mm <sup>2</sup>	1000V DC	25A	PRC082(*)-60-2.5	PRC082(*)-61-2.5	
	4mm <sup>2</sup>	1000V DC	35A	PRC082(*)-60-4	PRC082(*)-61-4	
	6mm <sup>2</sup>	1000V DC	45A	PRC082(*)-60-6	PRC082(*)-61-6	
	10mm <sup>2</sup>	1000V DC	60A	PRC082(*)-60-10	PRC082(*)-61-10	

## PLUG

Item	Shielding Cable Two-core Plug	Unshielding Cable Two-core Plug	Shielding Cable Two-core Integrated Plug	Unshielding Cable Two-core Integrated Plug
Pictures				
Product Number No HVIL	PRC182(*)-60-(&)	PRC482(*)-60-(&)	PRC162(*)-60-(&)	PRC462(*)-60-(&)
Product Number With HVIL	PRC182(*)-61-(&)	PRC482(*)-61-(&)	PRC162(*)-61-(&)	PRC462(*)-61-(&)

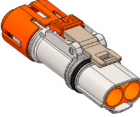

### NOTES:

(\*) Denote KEY Position : U , V , X , Y  
 (&) Denote Cable dimension : 2.5 , 4 , 6 , 10

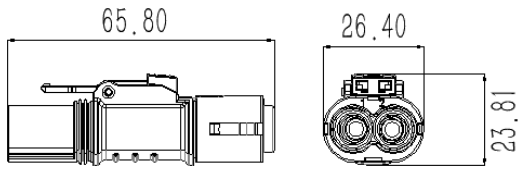
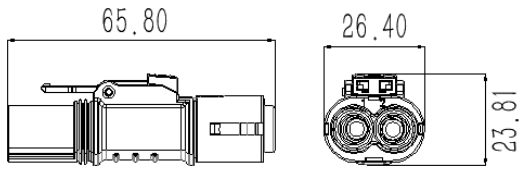
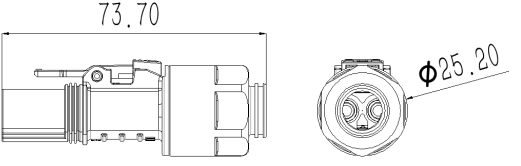
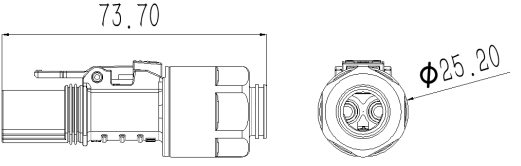
### PR162X-61-2.5/4 are available now.

Regarding the PR162X-61-6/PR162X-60-6, this model requires the development of several new component molds. We would only resume production if there is sufficient demand to justify the tooling investment. Therefore, we are currently unable to produce or supply this model for small-quantity sample orders.

## HOW TO ORDER PLUG? PART NUMBER SYSTEMS

Pictures	
 	<p style="text-align: right;"><b>GCMC1- 182 X - 60 - 2.5</b></p> <p>GCMC1- Series</p> <p>(A) Connector type :                      182 : Shielding Cable Two-core Plug                      162 : Shielding Cable Two-core Integrated Plug                      482 : Unshielding Cable Two-core Plug                      462 : Unshielding Cable Two-core Integrated Plug</p> <p>(B) Key position and color : "X" Key position , Orange (Include X/Y/U/V Four key positions)</p> <p>(C) Product Series : 60 : Not contain HVIL ; 61 : Contain HVIL</p> <p>(D) Cable size : 2.5 mm<sup>2</sup> , 4 mm<sup>2</sup> , 6 mm<sup>2</sup> , 10 mm<sup>2</sup></p> <p>Note:                      The above models are not all, please contact your sales representative if necessary.</p>

## PLUG INSTALL DIMENSION

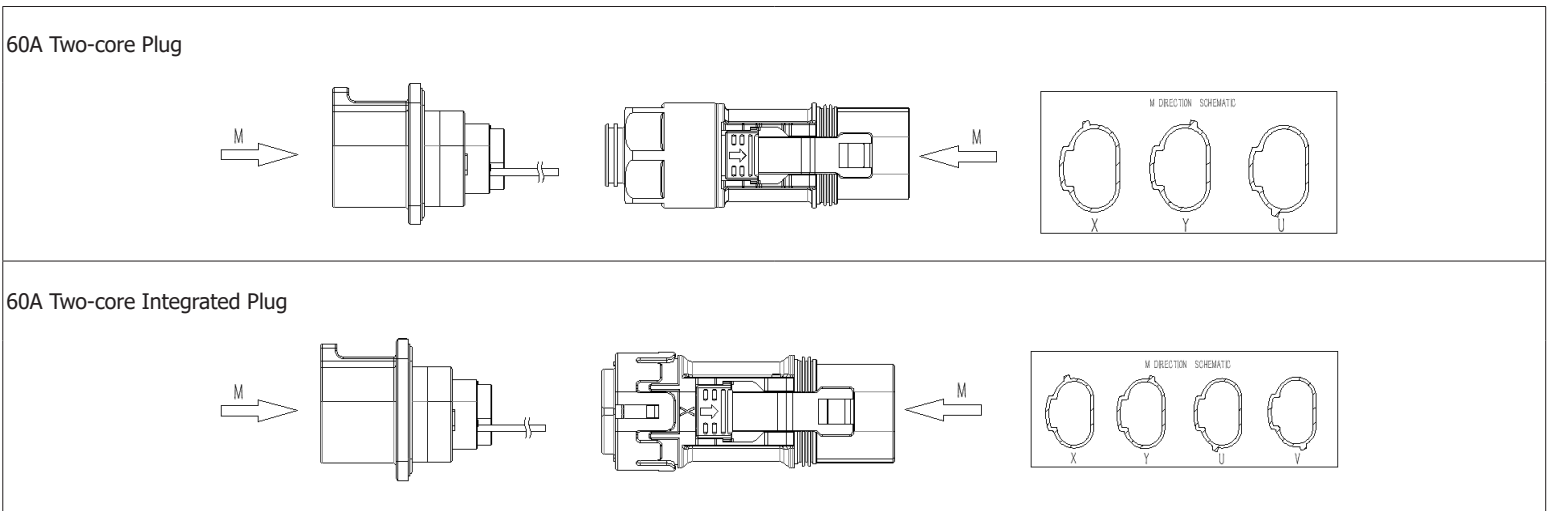
<p>PRC182(*)-60-(&amp;) PRC182(*)-61-(&amp;)</p> 	<p>PRC482(*)-60-(&amp;) PRC482(*)-61-(&amp;)</p> 
<p>PRC162(*)-60-(&amp;) PRC162(*)-61-(&amp;)</p> 	<p>PRC462(*)-60-(&amp;) PRC462(*)-61-(&amp;)</p> 

## PLUG PARAMETER TABLE, ACCEPT SHILED CABLE

Series	Accepted Cable Size	Rated Voltage	Rated Current	Shielding Cable Two-core Plug	Unshielding Cable Two-core Plug	Shielding Cable Two-core Integrated Plug	Unshielding Cable Two-core Integrated Plug
60A Two-core Series	2.5mm <sup>2</sup>	1000V DC	25A	PRC182(*)-6(&)-2.5	PRC482(*)-6(&)-2.5	PRC162(*)-6(&)-2.5	PRC462(*)-6(&)-2.5
	4mm <sup>2</sup>	1000V DC	35A	PRC182(*)-6(&)-4	PRC482(*)-6(&)-4	PRC162(*)-6(&)-4	PRC462(*)-6(&)-4
	6mm <sup>2</sup>	1000V DC	45A	PRC182(*)-6(&)-6	PRC482(*)-6(&)-6	PRC162(*)-6(&)-6	PRC462(*)-6(&)-6
	10mm <sup>2</sup>	1000V DC	60A	PRC182(*)-6(&)-10	PRC482(*)-6(&)-10	PRC162(*)-6(&)-10	PRC462(*)-6(&)-10

NOTES:  
 (\*) Denote KEY Position: X, Y, U, V  
 (&) Denote HVIL: 0 : Not contain HVIL ; 1 : Contain HVIL

## KEY POSITION



# Custom Solution Provider

Shenzhen Guchen Electronic Co., Ltd.

Contact Details:

Mobile: +86 155 1758 9079

Tel: +86-0755-28013472

Zip Code: 518110

E-mail: [ec@guchen.com](mailto:ec@guchen.com)

Address: 2A, Building 2, Hongji Xindu, Guanxing East Road, Longhua District, 518110 Shenzhen, China